

PTV LN₂ Cryo Assy

**(HP part no. G2619-60504)
(Recommended replacement level)**

Description	HP Part No.	Qty.
1. PTV LN ₂ Nut Plate	G2619-00040	1
2. PTV LN ₂ Supply Tube	G2619-20520	1
3. PTV/CFD LN ₂ Insulation Cover	G2619-00030	1
4. PTV LN ₂ -Cell Inlet Tube	G2619-20510	1
5. Cryo Valve	G1566-60557	1
6. PTV Inlet Tube Insulation	G2619-00010	1
7. PTV Solenoid Bracket	G2619-00020	1
NS PTV Jumper Cable	G2619-60502	1
NS Nut 1/4 Tubing SS	0100-0055	1
NS Connector	0100-0112	1
NS Connector—Male	0100-0208	1
NS 1/4 in. Ferrule Set SST	0100-1827	1
NS Tape—Industrial	—	—
NS Cap—Protective	—	—
NS MS 8-32 .312 LG	2510-0043	2

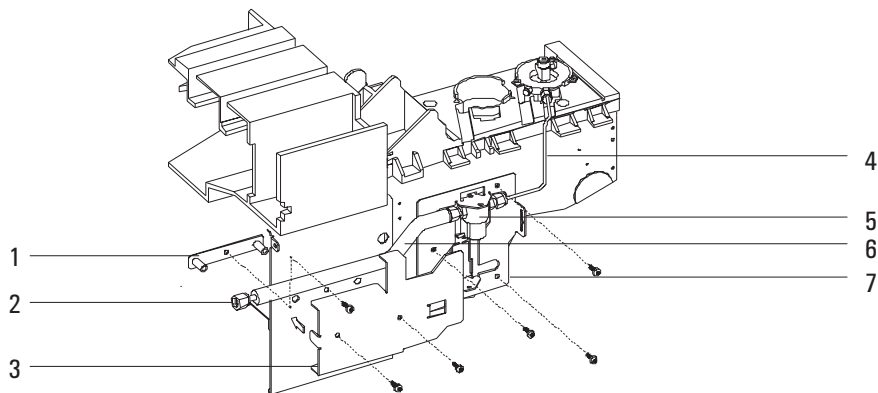


Figure 1310-14 PTV LN₂ Cryo Assembly